



Gunnebo SlimStile EV / EV ATT

Tripod turnstile for internal installation*

* External installation allowed under canopy for the SlimStile EV ATT.

GUNNEBO[®]

Edit down?

The Gunnebo SlimStile EV / EV ATT

Tripod Turnstiles are compact and cost-effective entrance solutions designed for smooth and silent operation, less wear and tear and reduced power consumption, suitable for areas where there is a large flow of people.

SlimStile EV ATT (Alarmed Tripod Turnstile) offers the best security performance by means of a photocell and IR sensor alarming in case of unauthorised passage attempt. The system can be further enhanced by a sensitive lid and extra photocells with the ITC functionality (Improper Transit Control). The ATT-ITC version avoids passage simulation and improves the overall performance for the detection of unauthorised passage detecting if someone tries to jump over or crawl under the tripod's arms as well as if someone tries to climb over the cabinet. An option is also available a single person detection feature SPD.

On receiving a signal from the access control system, or push button, this allows the passage of one person at a time. The status is shown on the LED way mode indicators, in entry and exit side. Passage in both directions is electronically controlled. The SlimStile EV ATT is available in Normally Closed (N/C) configuration to lock the mechanism until a valid authorisation signal is received, or in Normally Open (N/O) configuration to lock the mechanism in the event of attempted unauthorised entry. The N/O configuration also allows reduced power consumption and increases the life of the mechanism and passage throughput speed. In case of emergency, the hub freely rotates for an easier exit. The drop arm option can be chosen which automatically drops the horizontal arm to allow free passage. LED way mode indicators are included as standard.

SlimStile EV offers a well-designed, two-legged casework made of stainless steel, ideal for sites where robustness is required as a result of large flows of people. A 316 grade stainless steel and outdoor version is available, IP44. A double version is also available.

On receiving the signal from the access control system, or push button, this allows the passage of one person at a time. The status is shown on the LED waymode indicators, in entry and exit side. In case of emergency, the hub freely rotates to allow an easier exit. The drop arm option can also be chosen which automatically drops the horizontal arm to allow free passage. Passage in both directions is electronically controlled.

The SlimStile EV is available in Normally Closed (N/C) configuration to lock the mechanism until a valid authorisation signal is received, or in Normally Open (N/O) configuration to lock the mechanism in the event of attempted unauthorised entry. The N/O configuration also allows reduced power consumption and increases the life of the mechanism and passage throughput speed. Led waymode indicators are included as standard.

* External installation is allowed under canopy.



SlimStile EV



SlimStile EV ATT

Technical specifications

Drive

Hand-operated.

Materials

Casework: 304 grade grained stainless steel

Casework lid: 304 grade grained stainless steel

Tripod hub: Cast aluminium with painted grey finish

Tripod arms: 38mm diameter 480mm 304 polished stainless steel

Mechanism

Electro-mechanical head mechanism:

- Positive locking action for one passage at a time
- Self-centering mechanism to ensure complete rotation into the home position
- Hydraulic damper to ensure smooth operation
- Anti-backup device to prevent reverse rotation once the mechanism has moved 60° from home

Technical data

Dimensions	See details on next page
Power Supply	230Vac 50 Hz or 115Vac 60 Hz
Power Rating	50VA (stand by 5VA if Normally Open)
Operating Temperature	SlimStile EV: -5 (-10 with heating kit, for Single model) to +50 °C (RH 95% not condensing) SlimStile EV ATT: -5 to +50 °C (RH 95% not condensing)
IP rating / MCBF/MTTR	SlimStile EV: IP 44 / 10M (12M if NO) cycles / less than 30 min SlimStile EV ATT: IP 32 / 10M cycles (12M if Normally Open) / less than 30 min
Flow Rates (approximate figures):	Insertion Type Reader: 20 passages per minute Swipe Type Reader: 30 passages per minute Proximity Reader: "Hands Free": 40 passages per minute

Models

SlimStile EV

- Single
- Double
- 316 grade stainless steel
BA Lite Static Arm

Models

SlimStile EV ATT

- ATT
- ATT - ITC

Options

SlimStile EV

Card reader mounting

Remote control MP2000

Push button control

Pictograms

LCD counter

Drop arm

316 stainless steel (single only)

Coin acceptor application

Apron infill (glass or steel)

SlimStile EV ATT

Card reader mounting

Remote control MP2000

Push button control

Pictograms

LCD counter

Drop arm

Single person detection feature SPD

Power Failure / Fire Alarm

- Either one or both directions can be fail-safe (standard), i.e. rotates freely, or fail lock, i.e. locks in the home position
- Fire alarm - emergency input. Input facility available for free voltage contact to effect fail-state
- Mechanism fail state will be the same as power failure choice
- Drop arm option: the horizontal arm drops to create passage for evacuation

Interface

LL2001 Lite microprocessor control logic:

- One input for opening/locking in each direction
- Two protected outputs controlling opening/locking
- Four protected outputs piloting waymode indicators
- Two protected outputs counting passage in either direction
- Two OV output relays indicating availability of use or counting passage in either direction
- Two open collector NPN outputs to count passage or to indicate availability of use in either direction or activate the optional drop arm feature
- Four inputs for ATT & ITC features (SlimStile EV ATT only)
- Serial Port - RS485

Applications

Government

Retail

Finance

Telecommunications

Information technology

Banking

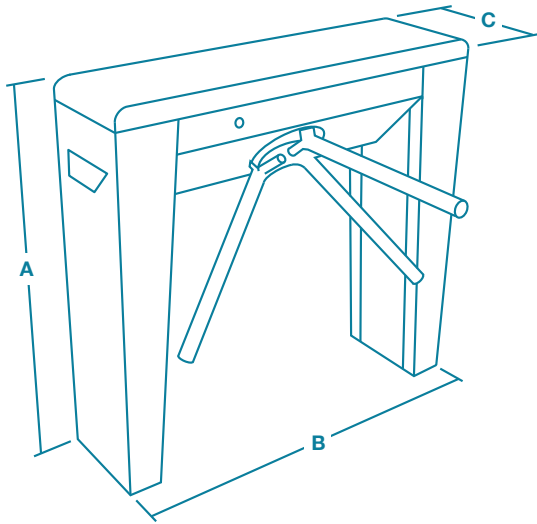
Publishing

Leisure

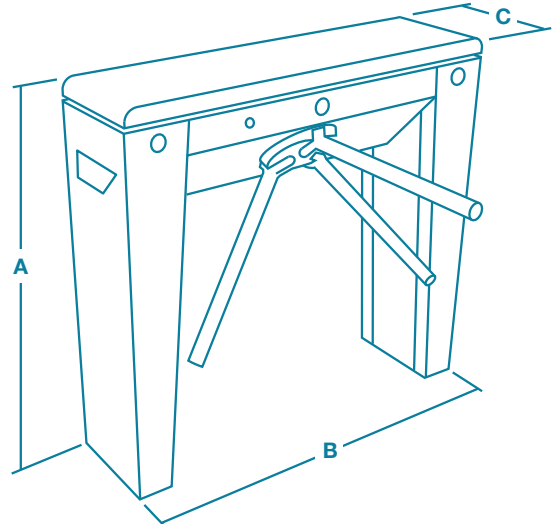
Petrochemical

Education...

Site preparation



SlimStile EV



SlimStile EV ATT

Dimensions and weight

	A Height ¹	B Length ²	C Width ³	Weight (kg) ⁴
SlimStile EV (Single version)	950	1004	270? kg
SlimStile EV (Double version)	?	?	?? kg
SlimStile EV ATT	950	950	270? kg

1,2,3. Dimensions in mm. 4. Weight net (kg).
May require lifting equipment. For details refer to installation detail drawings.

Note:

Concrete Base to specification at least fck (cube) 300N/mm² of resistance. Base to be flat and level to +/- 5mm over footprint area. Dimensions to be > 700 x 500 x 150 deep min for pedestal-mounted version (units in mm).

Important: Any horizontal pipe or conduit running below the Tripod Turnstile must be at least 140mm below FFL. Metal conduit for cables should be raised at least 50mm from foundation. It is the customer's responsibility to ensure the structural integrity and strength of the installation location. The dimensions given in this Product Data Sheet are for information only. In order to prepare the installation site, please refer to your usual Gunnebo Customer Service contact.

Conditions of use: When using Gunnebo's security access control gates, for security and safety reasons, children must be supervised by an adult at all times.

Gunnebo SlimStile EV / EV ATT

Design and production: Gunnebo. Photos Credits: Gunnebo. The data given in this material may be subject to change without further notice. The Gunnebo logos and "Gunnebo – For a safer world" are registered trademarks of Gunnebo AB.



Take advantage of our knowledge:
www.gunneboentrancecontrol.com

GUNNEBO®