



Gunnebo SlimStile BA / BA Lite

Tripod turnstile for internal installation*

* External installation allowed under canopy for the SlimStile BA.

The Gunnebo SlimStile BA / BA Lite

Tripod Turnstiles are compact and cost-effective entrance solutions designed for smooth and silent operation, less wear and tear and reduced power consumption, suitable for areas where there is a large flow of people. SlimStile BA, our stainless steel compact version, offers high operating reliability in a small casework for wall mounted or pedestal installation, ideal for sites where space is an issue, whilst the BA Lite is pedestal mounted. On receiving a signal from the access control system, or push button, this allows the passage of one person at a time. The status is shown on the LED way mode indicators, in entry and exit side.

Passage in both directions is electronically controlled. The SlimStile BA is available in Normally Closed (N/C) configuration to lock the mechanism until a valid authorisation signal is received, or in Normally Open (N/O) configuration to lock the mechanism in the event of attempted unauthorised entry. The N/O configuration also allows reduced power consumption and increases the life of the mechanism and passage throughput speed. In case of emergency, the hub can freely rotate to allow an easier exit. The drop arm option for the BA can also be chosen which automatically drops the horizontal arm to allow free passage. LED way mode indicators are included as standard.



SlimStile BA



SlimStile BA Lite

Technical specifications

Drive

Hand-operated.

Materials

SlimStile BA:

- Casework: 304 grade grained stainless steel
- Casework lid: 304 grade grained stainless steel
- Tripod hub: Cast aluminium with painted grey finish
- Tripod arms: 38mm diameter 480mm 304 polished stainless steel

Slimstile BA Lite:

- Casework: Galvanised painted steel 430 (1.4301 as for EN 10088-1)
- Casework lid: 304 grade grained stainless steel
- Tripod hub: Cast aluminium with painted grey finish
- Tripod arms: 38mm dia. 480mm 304 Stainless Steel AISI 304 (1.4301 as for EN 10088-1), with welded end caps

Mechanism

Electro-mechanical head mechanism:

- Positive locking action for one passage at a time (SlimStile BA only)
- Self-centering mechanism to ensure complete rotation into the home position
- Hydraulic damper to ensure smooth operation (SlimStile BA only)
- Anti-backup device to prevent reverse rotation once the mechanism has moved 60° from home

Technical data

Dimensions	See details on next page
Power Supply	230Vac 50 Hz or 115Vac 60 Hz
Power Rating	50VA (stand by 5VA if Normally Open)
Operating Temperature	-5 to +50°C (RH 95% not condensing)
IP rating / MCBF/MTTR	IP 44 / 10M cycles (12M if Normally Open) / less than 30 min
Flow Rates (approximate figures):	SlimStile BA Insertion Type Reader: 20 passages per minute Swipe Type Reader: 30 passages per minute Proximity Reader: "Hands Free": 40 passages per minute SlimStile BA Lite Proximity Reader: "Hands Free": 40 passages per minute

Models

- Pedestal-mounted
- Wall-mounted

Options

SlimStile BA

Card reader mounting

Remote control MP2000

Push button control

Pictograms

LCD counter

Drop arm

SlimStile BA Lite

Surface mounted card reader drilling

Way mode Indicator

Electro-mechanical counter

Power Failure / Fire Alarm

- Either one or both directions can be fail-safe (standard), i.e. rotates freely, or fail lock, i.e. locks in the home position
- Fire alarm - emergency input. Input facility available for free voltage contact to effect fail-state
- Mechanism fail state will be the same as power failure choice
- Drop arm option: the horizontal arm drops to create passage for evacuation
- Static hub option: free rotation (SlimStile BA Lite)

Interface

LL2001 Lite microprocessor control logic:

- One input for opening/locking in each direction
- Two protected outputs controlling opening/locking
- Four protected outputs piloting waymode indicators
- Two protected outputs counting passage in either direction
- Two OV output relays indicating availability of use or counting passage in either direction
- Two open collector NPN outputs to count passage or to indicate availability of use in either direction or activate the optional drop arm feature
- Serial Port - RS485

Applications

SlimStile BA

Government

Retail

Finance

Telecommunications

Information technology

Banking

Publishing

Leisure

Petrochemical

Education...

SlimStile BA Lite

Head offices

Banking

Data centres

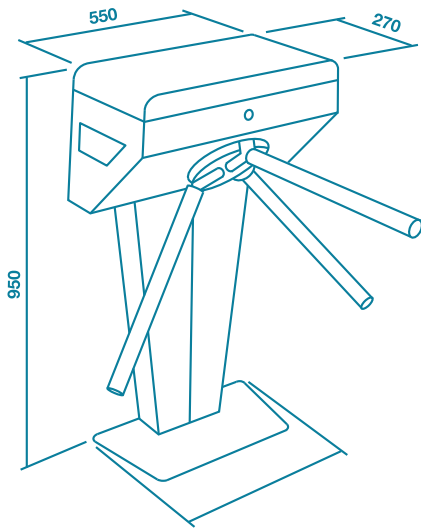
Telecommunications

Government

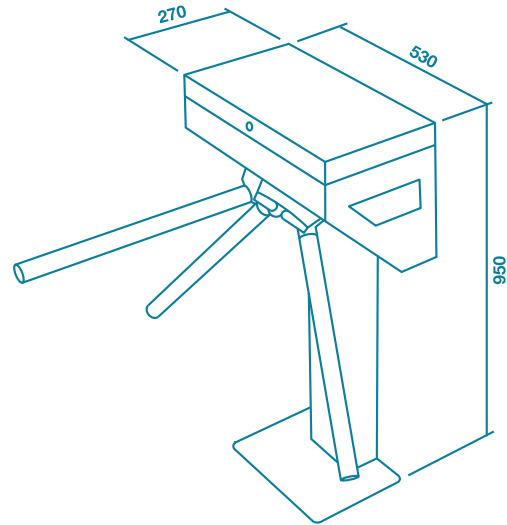
Military

Information technology

Site preparation



SlimStile BA



SlimStile BA Lite

- Product delivered fully assembled and may require lifting equipment.
- Approx. weight: SlimStile BA: 40Kg (pedestal mounted version) 26Kg (wall mounted version).
SlimStile BA Lite: 40Kg.
- For installation details, please refer to the installation manual.

Note:

Concrete Base to specification at least fck (cube) 300N/mm² of resistance. Base to be flat and level to +/- 5mm over footprint area. Dimensions to be > 700 x 500 x 150 deep min for pedestal-mounted version (units in mm).

Important: Any horizontal pipe or conduit running below the Tripod Turnstile must be at least 140mm below FFL. Metal conduit for cables should be raised at least 50mm from foundation. It is the customer's responsibility to ensure the structural integrity and strength of the installation location. The dimensions given in this Product Data Sheet are for information only. In order to prepare the installation site, please refer to your usual Gunnebo Customer Service contact.

Conditions of use: When using Gunnebo's security access control gates, for security and safety reasons, children must be supervised by an adult at all times.

Gunnebo SlimStile BA / BA Lite

Design and production: Gunnebo. Photos Credits: Gunnebo. The data given in this material may be subject to change without further notice. The Gunnebo logos and "Gunnebo - For a safer world" are registered trademarks of Gunnebo AB.



Take advantage of our knowledge:
www.gunneboentrancecontrol.com

GUNNEBO®