

## Gunnebo RotaTech Series

Electro-mechanical full height turnstiles  
for indoor and outdoor applications

## The Gunnebo RotaTech Series

### Heavy-duty electro electro-mechanical operation for safe and reliable secure access

Robust and modular concept design combined with a proven electro-mechanical technology, the RotaTech full height turnstiles are available with 3 or 4-arm rotors and single or double-lane designs are a secure full height access solution for any location that requires to mitigate tailgating while handling up to 20 passages per minute in a cost effective manner.

Constructed of zinc chromate primer and powder coated steel or stainless steel materials, the RotaTech is suitable for both harsh condition environments and perimeter applications where aesthetics matter.



RotaTech S3



RotaTech D3

COMING SOON

RotaTech S4

COMING SOON

RotaTech D4

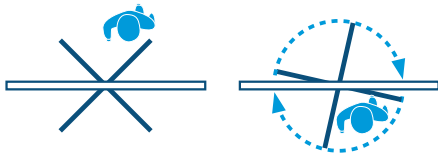
## Technical specifications

### Security features

#### Unauthorised passage prevention

- Anti-crawling barrier
- Anti-pass back barrier
- Anti-reverse rotation during transit
- Self-centring to reset position
- Action lock preventing two passages at a time

### Mode of operation



#### Passage in one or both directions electronically controlled

On receiving a granted access signal from the access control system (or remote control), the turnstile head mechanism unlocks and the rotor arms can be pushed to pass through the full height turnstile in the authorised direction. It prevents two passages at a time, and if an unauthorised person attempts to enter from the opposite direction, the in-built locking mechanism prevents any attempt to reverse the rotation.

### Safety features

- Hand-operated rotation
- Low voltage (24 V) electro-mechanical technology
- Voltage free contact input for Fire Alarm fail state
- Anti-pinching design construction
- Fail-safe (standard configuration) in the event of a received emergency signal or a power failure, i.e. the rotor freely rotates. Fail-lock configuration available on request.

For security and safety reasons, children must be supervised by an adult at all times in the vicinity of a full height turnstile in operation. Any child being escorted through a full height turnstile lane must always precede the accompanying adult during passage.

### Options & accessories

- Canopy for weather protection and climbing over prevention
- LED way mode indicators (green chevrons / red cross)
- LED passageway downlight
- Remote control systems (MP2000, MPTouch, EntraLinq)

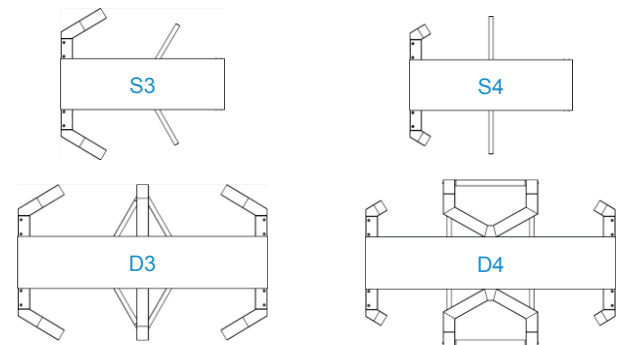
### Access specifications

Flow	Bi-directional, one direction at a time
Throughput	15-20 people per minute per lane

### Design versions

Single lane, 3-arm rotor	RotaTech S3
Single lane, 4-arm rotor	RotaTech S4
Double lane, 3-arm rotor	RotaTech D3
Double lane, 4-arm rotor	RotaTech D4

To create a full height turnstile single lane, one RotaTech S3 or S4 is required. Additional lanes are obtained by using more RotaTech S3 or S4 next to each other. Two full height turnstile lanes are built-in for the RotaTech D3 or D4 versions for a reduced footprint.



### Finishes

#### Standard <sup>(1)</sup>

**Frames:** Zinc chromate primer and Jet Black (RAL 9005) polyester coated steel

**Rotor:** Zinc chromate primer and Silver Grey (RAL 7001) polyester coated steel

**Top Channel:** Zinc chromate primer and Jet Black (RAL 9005) polyester coated steel

#### Optional upgrades <sup>(2)</sup>

**Frames:** Brushed 304 stainless steel

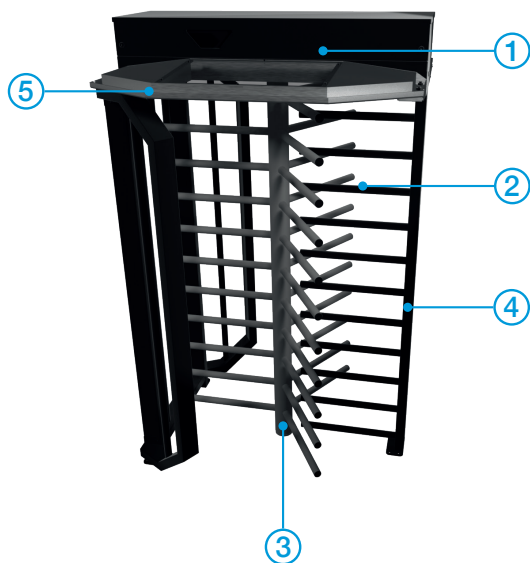
**Rotor:** Brushed 304 stainless steel

**Top Channel:** Brushed 304 stainless steel

<sup>(1)</sup> Alternative colours available on request.

<sup>(2)</sup> Powder coated 304 stainless steel available on request.

## Technical specifications



1. Roof housing head mechanism and logic
2. Stator bar frame
3. Rotor column with horizontal arms.
4. Passageway side frame
5. Canopy (option)

## Technical data

Power supply	115-230 V AC, 50 / 60 Hz
Power rating	50 VA (per lane)
Logic voltage	24V
Emergency / fire signal	Input for voltage free contact
Operating temperature	-10° to +60° Relative humidity 95% no condensing
Ingress protection	IP44
Sound level	< 55dB

## Technical specifications



## Dimensions and weight

	Passage height	Passage width <sup>1</sup>	A Total height	B Total length	C Total width	Weight (kg)
RotaTech S3	2050	595	2320	1310	1405	210
RotaTech S4	2050	505	2320	1195	1405	215
RotaTech D3	2050	610	2320	1310	2105	415
RotaTech D4	2050	520	2320	1400	2105	470

<sup>1</sup> At point of entry.

## Installation & maintenance

Product Delivery	Application	Site Preparation	Cabling & Conduits	Systems Integration	Maintenance Access	MTTR <sup>2</sup>	MCBF <sup>3</sup>
Kit form or fully assembled	Indoor and outdoor	Flat & level finished floor +/- 5mm	Through the ground or top channel sides	12 I/O digital interface and RS 485 serial interface	Through top channel lockable service hatch	± 30 minutes	5 million

<sup>2</sup> Mean Time To Repair. <sup>3</sup> Mean Cycle Between Failure in compliance with recommended maintenance.

# Gunnebo RotaTech Series

Design and production: Gunnebo. Photos Credits: Gunnebo. The data given in this material may be subject to change without further notice. The Gunnebo logos and "Gunnebo - For a safer world" are registered trademarks of Gunnebo AB.



Take advantage of our knowledge:  
[www.gunneboentrancecontrol.com](http://www.gunneboentrancecontrol.com)

