



Gunnebo HiSec² 9 range

Motorised security booth for internal
or semi-external installation

The Gunnebo HiSec² 9 range

HiSec² is a security product in the Gunnebo Turnstiles offering. The **HiSec² 9** and **HiSec² 9-2D** have a transparent and elegant design offering a choice of security levels preventing tailgating and piggybacking.

The **HiSec² 9-2D-Lite** is equipped with double automatic doors on one side. The other side can support a passage to an existing door or exit as it is designed as a half portal.

The double leaves set, allows for an increased throughput performance.

The doors are always locked shut in the rest position. An authorised signal opens the first door allowing the user to step into the booth where a presence is detected. When the first door is closed, the second door opens, thus allowing the user to pass through. The second door shuts after the unit has been vacated which also resets the system.

The portal includes a presence detection system as standard.

With the addition of one, or a combination of, single person detection systems the portals permit the passage of an authorised person only.

As an authorised user stands in the portal, it confirms acceptance of the occupant and authorises the exit door to open. When an optional single person system is used and identifies more than one person is present in the portal, the entry door will re-open and a vocal synthesiser will ask the occupants to leave.

The HiSec² is equipped with a electronic safety features that reverses the motor to re-open the door upon detection of an obstruction. The door fully opens to allow the obstruction to be removed after which it attempts to re-close.



HiSec² 9



HiSec² 9-2D



HiSec² 9-Lite



HiSec² 9-SQ

Technical specifications

Drive

The portal is motorised, driven by geared Brushless DC motors regulating the speed of movement. The safety of the user is ensured by monitoring the presence within the area and safety torque sensing of the drive.

Materials

Structure: Mild steel powder coated finish, RAL colour 9006, FB3- EN1522

Glass: BR1/S, P4A- 12mm Laminate Safety Glass, EN1063/356

Ceiling: Laminated HPL finished Pearl Grey

Base Plate: High-strength laminate with finishing in colour Plumb Grey

Sliding door: Aluminum frame, RAL 7040

Light

A low voltage light is positioned internally on the ceiling.

Technical data

Power Supply	230-240 Vac 50-60 HZ
Power Rating	230V AC - 1,4 A/115V AC - 2,8 A
Logic voltage	24V DC
Operating Temperature	From -10° to 45°
IP rating/ MCBF/MTTR	IP33/2M cycles / less than 30 min
Flow Rates (approximate figures):	Proximity Reader: " Hands Free", HiSec²9: 4 passages per minute HiSec²9-2D: 6 passages per min HiSec²9-2D-Lite: 6 passages per min HiSec²9-SQ: 4 passages per min

Options

Extended Passage Height/ Cornice Height	Ballistic Resistant Glass- BR2/S, BR3/S, BR4/S, BR4/NS, BR6/NS - EN1063
Heating Kit -15°C	Ballistic Resistant Structure- FB4, FB6- EN1522
Semi-external installation	Manual Attack Resistance- RC2, RC3, RC4 - EN1627 (Not available with Metal Detection upgrade)
Left object sensor	Active Infra-Red Sensor
Ultrasound sensor	Integration of Card reader/ Pictogram
Double Contact mat	Demountable version
Weight Sensing Upgrade	Maintenance Access from Ceiling
NCI	Alternative finishes- Custom RAL colours, Stainless Steel
Emergency Button	Metal Detection
HiSec² 9-SQ only: 90° Lateral exit	

Power Failure / Fire Alarm

In case of power failure, a battery back-up will allow approx.

20 passengers after which the entry door is unlocked (Fail Safe) allowing it to be manually opened by anyone inside the HiSec².

While the exit door remains locked (Fail Lock) to ensure protected access to the secure area.

Single Person Detection - Optional upgrades available:

1. Ultrasound

Detection via high-frequency waves. Permitted access only when the volume present in the portal is within the configured threshold.

2. Double Contact Mat

Digital detection based on the limitation of space. The mat has two zones, with one small inner zone. If pressure is applied outside the inner zone, passage will not be permitted. Can be combined with Ultrasound.

3. Weight Sensing

Detection via load cell. Weight is used to decide whether to accept or reject passage. 3 modes available: Maximum weight mode (standalone), weight banding mode, and actual weight mode (integrated with access control). Can be combined with Ultrasound.

4. NCI

Unique advanced image analytics, AI and a dual camera system. Detects and counts the number of people inside the portal. This standalone system ensures passage of one person only without being affected by other items inside the portal e.g bags, wheelchairs.

Active Infra-Red Sensor- (Optional)

Detects presence at the entry of the booth to allow free opening of the entry door if required.

Left Item Detection

An additional left object sensor is able to detect the presence of a metallic object of the size of 50x50x30mm left inside the portal.

Reader Integration (optional)

Readers can be located on the interior and exterior of the booth, allowing a single or two-factor authentication process. A confirmation signal is also given to affirm the completion of the passage.

90-degree Lateral Exit (Optional for HiSec²9-SQ only)

The booth can be produced with the exit at 90°left or 90°right. Once into the booth, the access to the secure side is placed to the right or left instead of straight ahead.

Applications

Head offices

Banking

Data centres

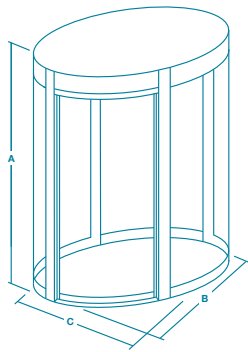
Telecommunications

Government

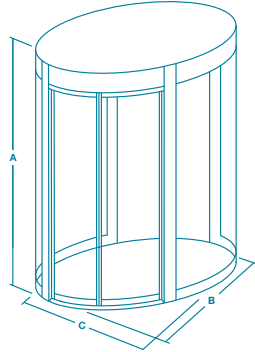
Military

Information technology

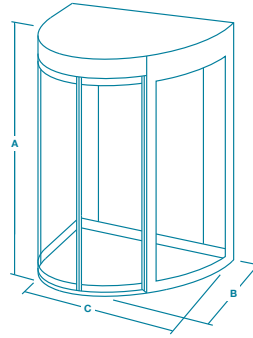
Site preparation



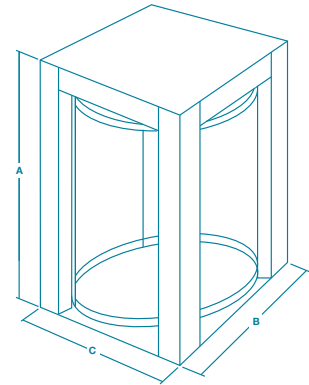
HiSec² 9



HiSec² 9-2D



HiSec² 9-2D-Lite



HiSec² 9-SQ

Dimensions and weight

	Passage height	Passage width	A Cabinet height ¹	B Cabinet length ²	C Cabinet width ³	Weight (kg) ⁴
HiSec ² 9	2100	900	2320	1500	1500	700-800 kg
HiSec ² 9-2D	2100	900	2320	1500	1500	700-800 kg
HiSec ² 9-2D-Lite	2100	900	2320	1000	1500	600-700 kg
HiSec ² 9-SQ	2100	900	2320	1500	1500	700-800 kg

1,2,3. Dimensions in mm. 4. Weight net (kg).

May require lifting equipment. For details refer to installation detail drawings.

Notes:

1. For the RC3 version, the base increases by 8mm to 28mm and the cornice increases by 3mm to 203mm. The overall height therefore increases by 11mm.
2. For the RC4 version the base increases by 8mm to 28mm cornice increases by 53mm to 253 mm instead of 200 mm. The overall height therefore increases by 61mm
3. BR6 Upgrades require an increase in outside diameter by 50mm
4. Note the base increases to 30mm from 20mm when weight detection is selected

Site preparation

Product is delivered fully assembled and requires lifting equipment.

Concrete Base to specification at least (cube) 30N/mm² of resistance. Base to be flat and level to +/-5mm over footprint area. Dimensions to be as below table:

Concrete base dimensions

HiSec ² 9	1650mm x 1650mm x 150mm deep min
HiSec ² 9-2D	1650mm x 1650mm x 150mm deep min
HiSec ² 9-2D-Lite	1650mm x 1150mm x 150mm deep min
HiSec ² 9-SQ	1650mm x 1650mm x 150mm deep min

Important: Any horizontal pipe or conduit running below the MTR must be at least 140 mm below FFL. Metal conduit for cables should be raised at least 50 mm from foundation. It is the customer's responsibility to ensure the structural integrity and strength of the installation location. The dimensions given in this Product Data Sheet are for information only. In order to prepare the installation site, please refer to your usual Gunnebo Customer Service contact.

Conditions of use: When using Gunnebo's security access control gates, for security and safety reasons, children must always be supervised by an adult.

Gunnebo HiSec² 9

Design and production: Gunnebo. Photos Credits: Gunnebo. The data given in this material may be subject to change without further notice. The Gunnebo logos and "Gunnebo - For a safer world" are registered trademarks of Gunnebo AB.



Take advantage of our knowledge:
www.gunneboentrancecontrol.com

GUNNEBO®